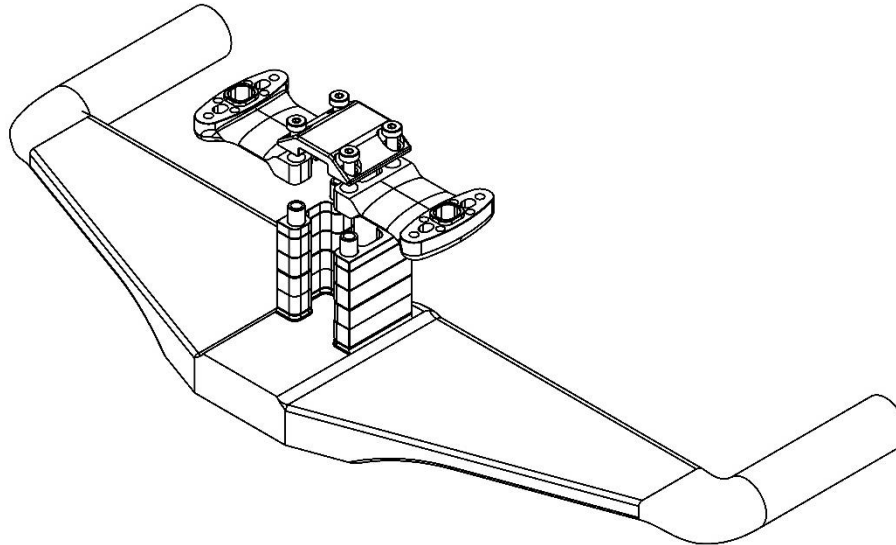


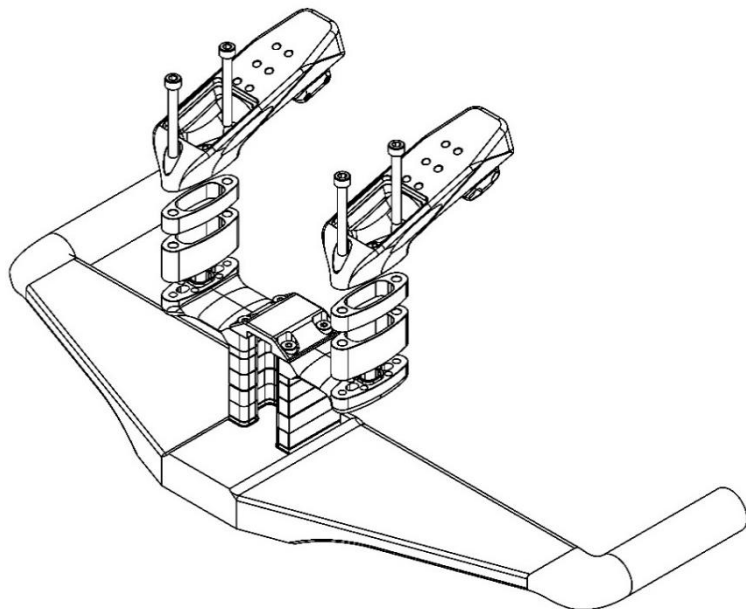
AEROBAR TWO / AEROBAR THREE SETUP SUPPLEMENT

CANYON SPEEDMAX CF SLX H48/H49

The H48/49 AB02 / AB03 basebar adapters are designed to function with the original spacer stack of the Canyon Speedmax H48/49 basebar. Replacement low-head M5 x 12 mm Torx screws have been supplied for the spacer stack top plate. We recommend the use of MOTOREX Bike Grease on these connection screws.

NOTE: Top plate screws have a suggested torque of **6 Nm**.





STACK HEIGHT ADJUSTEMENT

Stack height adjustment for the H48/H49 is made via our AB spacer stack, atop the AB basebar adapters.

Please refer to the below spacer and bolt chart and ensure that you select the correct bolt length for the spacer stack installed.

NOTE: We recommend the application of MOTOREX Bike Grease for the stack spacer bolts, with a torque of **6 Nm**.

CANYON SPEEDMAX CF SLX H48/49 SPACER AND BOLT CHART

COMPONENTS	SPACER STACK (MM)	M5 BOLT LENGTH (MM)
EXTENSION CLAMP OR ANGLED SPACER	0	14
EXTENSION CLAMP OR ANGLED SPACER	1 X 10 MM	25
EXTENSION CLAMP OR ANGLED SPACER	1 X 20 MM	35
EXTENSION CLAMP OR ANGLED SPACER	3 X 10 MM	45