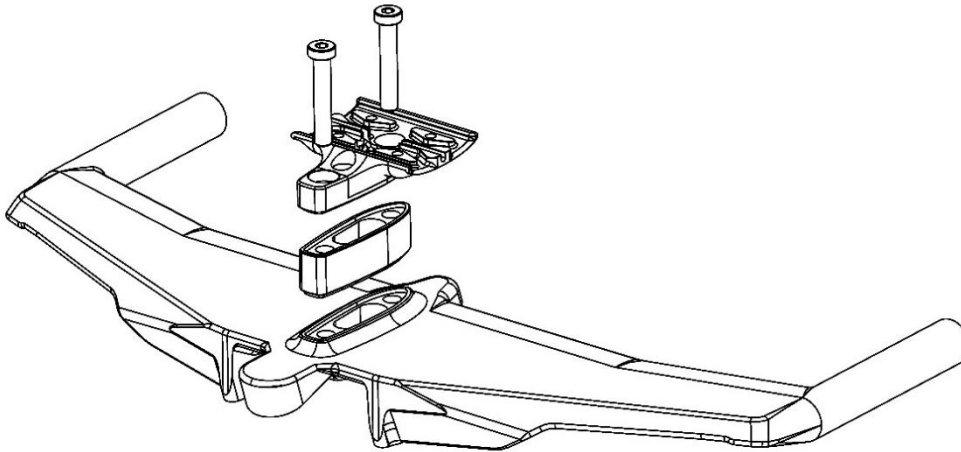


## AEROBAR TWO / AEROBAR THREE SETUP SUPPLEMENT

### SHIV TRI DISC SPACER AND BOLT REQUIREMENTS

The AB02 / AB03 basebar adapter for the Shiv Tri Disc is designed to function with the original base bar and spacers. The Shiv Tri Disc is supplied with a variety of spacers, allowing you to achieve your perfect pad stack height, in 5 mm increments. The basebar adapter sits directly on top of the Shiv Tri Disc spacers and the correct bolt length must be selected for the spacer stack that is being used.

**NOTE:** We recommend the application of **MOTOREX Bike Grease** for the connection bolts, with a torque of **9 Nm**.



## AB01 / AB02 SHIV TRI DISC SPACER AND BOLT CHART

ESSENTIAL COMPONENTS	SPACER STACK (MM)	M8 LOW HEAD BOLT LENGTH (MM)
AB02 / AB03 LOW STACK BAR ADAPTER	0	30
5 MM SPACER + AB02 / AB03 LOW STACK BAR ADAPTER	5	30
10 MM SPACER + AB02 / AB03 LOW STACK BAR ADAPTER	10	40
15 MM SPACER + AB02 / AB03 LOW STACK BAR ADAPTER	15	40
20 MM SPACER + AB02 / AB03 LOW STACK BAR ADAPTER	20	50
25 MM SPACER + AB02 / AB03 LOW STACK BAR ADAPTER	25	50
30 MM SPACER + AB02 / AB03 LOW STACK BAR ADAPTER	30	60
35 MM SPACER + AB02 / AB03 LOW STACK BAR ADAPTER	35	60
40 MM SPACER + AB02 / AB03 LOW STACK BAR ADAPTER	40	70
45 MM SPACER + AB02 / AB03 LOW STACK BAR ADAPTER	45	70
50 MM SPACER + AB02 / AB03 LOW STACK BAR ADAPTER	50	80
55 MM SPACER + AB02 / AB03 LOW STACK BAR ADAPTER	55	80
60 MM SPACER + AB02 / AB03 LOW STACK BAR ADAPTER	60	90
65 MM SPACER + AB02 / AB03 LOW STACK BAR ADAPTER	65	90
70 MM SPACER + AB02 / AB03 LOW STACK BAR ADAPTER	70	100
75 MM SPACER + AB02 / AB03 LOW STACK BAR ADAPTER	75	100
80 MM SPACER + AB02 / AB03 LOW STACK BAR ADAPTER	80	110
85 MM SPACER + AB02 / AB03 LOW STACK BAR ADAPTER	85	110
90 MM SPACER + AB02 / AB03 LOW STACK BAR ADAPTER	90	120
95 MM SPACER + AB02 / AB03 LOW STACK BAR ADAPTER	95	120