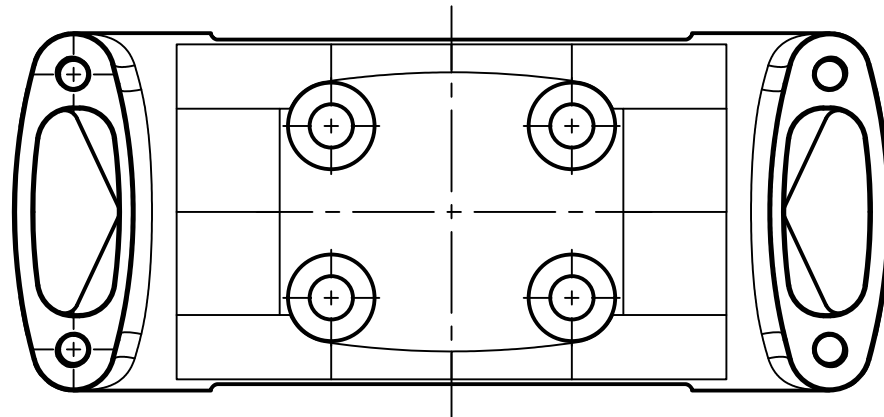
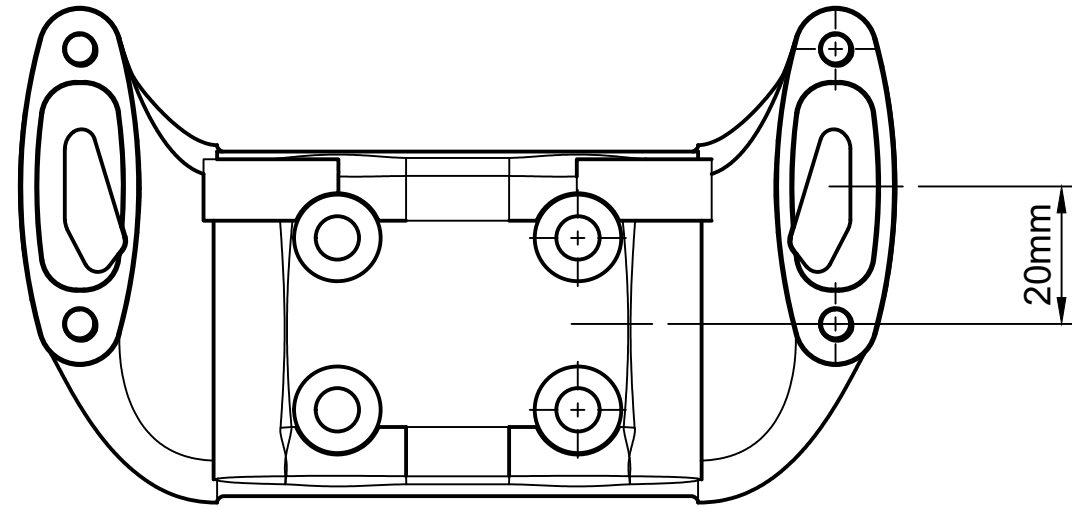


**ALL SPACERS NAMED ACCORDING TO OFFSET AT EXTENSION**

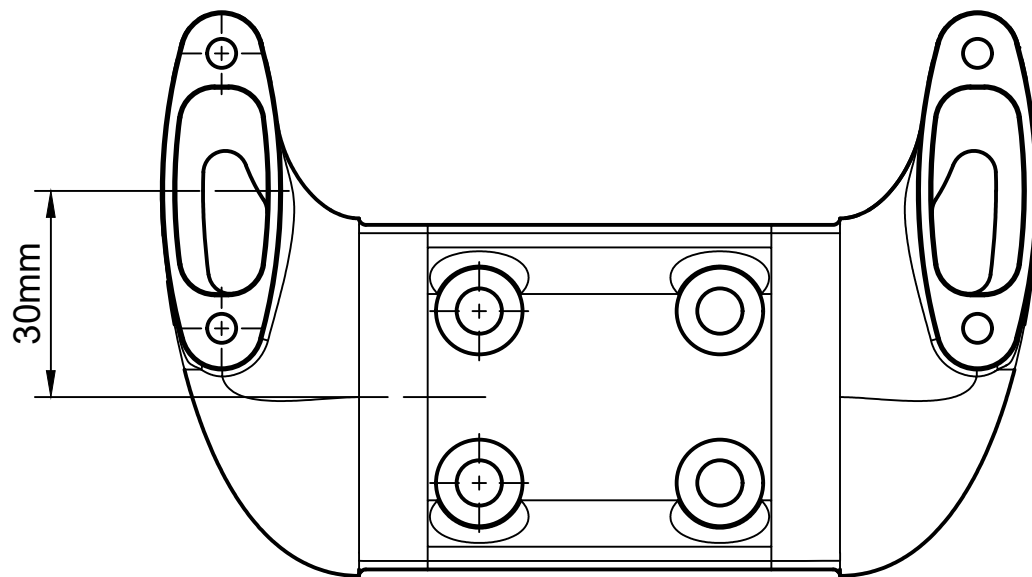
**Neutral at Extension**



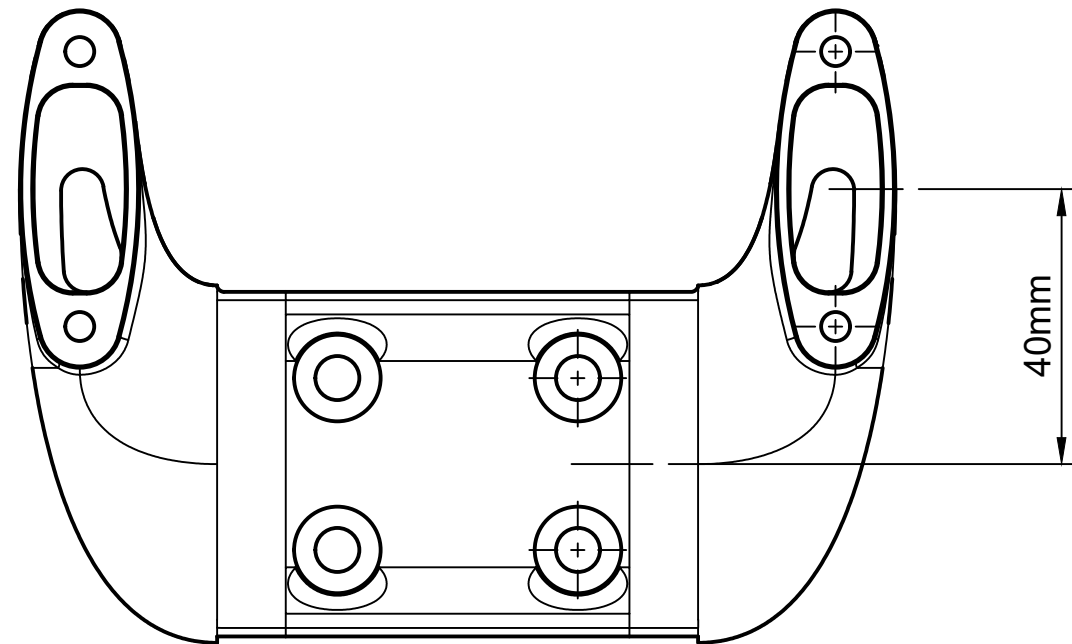
**+20mm Offset at Extension**



**+30mm Offset at Extension**



**+40mm Offset at Extension**



PART NUMBER	DATE CREATED	Centre Stack top Plate Comparison
CENTRE_STACK_COMPARISON	12/06/2024	